

MY

EYE IWASAKI

LEDioc/SL EY686 (WD/MD SERIES) LED STREET LIGHT



IWASAKI ELECTRIC CO., LTD.

Address: Nomurafudosan-higashinonbashi-Bldg.,
1-1-7 Higashinonbashi, Chuo – Ku, Tokyo 103-0002 Japan.

☎ :+81-3-5846 9015 Fax :+81-3-5846 9033

🌐 : www.eye.co.jp

🌐 : www.eyelightingasia.com

LEDioc/SL EY686 - 22.09

PRODUCT SUMMARY

ELECTRICAL SYSTEM

- **Power Consumption** : EY686-1 - 35W, 60W, 75W
: EY686-2 - 80W, 90W, 100W, 120W
: EY686-3 - 120W, 135W, 150W,
170W, 180W, 190W, 200W
: EY686-4 - 240W, 280W
: Other power upon request
- **Input Voltage** : 100 - 240Vac (50/60Hz)
- **Power Factor** : > 0.96
- **Insulation Class** : Class I (Class II upon request)
- **LED Driver** : Constant Current
: Input Surge Protection
: Water dust proof
: Programmable (only selected models)
: Optional 1-10V/PWM/DALI Dimming
- **Surge Protective Device** : 50kV, 25kA (internal SPD)
- **Optional Smart Control Features** : NEMA / Zhaga Shorting Cap
: NEMA / Zhaga IoT Smart Controller
: NEMA / Zhaga Photocell (Daylight Sensor)
(Daylight Sensor)
- **Operating Temperature** : -20°C to +50°C

FIXTURE SPECIFICATION

- **Housing Material** : ADC 12 Die Cast Aluminum
- **Housing Color** : Akzo Nobel RAL9006 Grey
- **Ingress Protection (IP)** : IP66 water dust proof
- **Impact Resistance (IK)** : IK08
- **Mounting Diameter (Spigot)** : EY686-1 : Ø 35mm-50mm
EY686-2 : Ø 35mm-50mm
EY686-3 : Ø 48mm-60mm
EY686-4 : Ø 48mm-60mm
: Other upon request
- **Mounting Adjustment** : Post Top / Side Entry
: Allowable tilt -15° to +15°
: 5° incremental tilt
- **Nett Weight (kg) (Complete Luminaire)** : EY686-1 : approx. 4.50 kg
EY686-2 : approx. 6.15 kg
EY686-3 : approx. 8.10 kg
EY686-4 : approx. 14.40 kg
- **Gross Weight (kg) (Complete Package)** : EY686-1 : approx. 5.45 kg
EY686-2 : approx. 7.35 kg
EY686-3 : approx. 9.23 kg
EY686-4 : approx. 17.20 kg

LIGHT SOURCE / OPTIC SPECIFICATION

- **LED Type** : SMD 5050
- **Color Temperature (CCT)** : 3000K
: Other upon request
- **Color Rendering Index (CRI)** : RA > 70
: RA > 80 upon request
- **Life Time Residual Flux** : (L70) > 50,000 hours
@ Ta = 50 °C
: (L90) > 50,000 hours
@ Ta = 25 °C
- **LED Compliance Test** : LM80, TM21
- **Optical Lens** : TYPE 1, TYPE 2, TYPE 3
: Others upon request

STANDARDS & CERTIFICATION TEST

- **Type Test Compliance (Luminaire)** : IEC 60598-2-3, IEC 60598-1
: IEC 60598-1
- **EMC Compliance (LED Driver)** : EN 55015, EN 61547
: EN 61000-3-2 ; EN 61000-3-3
: EN 61347-1 ; EN 61347-2-13
- **SIRIM Product Certificate** : PC004404 (Malaysia Only)
- **SIJIL EMAL** : EE022009/19/08/11
: EE02200012/19/08/09
: EE022009/22/07/26
- **My Hijau Certification** : 90W, 120W, 150W, 180W, 200W
- **LED Compliance Test** : IESNA LM-79, LM-80, TM-21
- **Ingress Protection Test** : IEC 60529
- **Impact Resistance Test** : IEC 62262
- **Luminaire Performance** : IEC 62722-1, IEC 62722-2-1
- **Vibration & Shock Test** : IEC 60068-2-6



EY686-2



EY686-1



EY686-3



EY686-4

PRODUCT TECHNICAL DATA



EY686-1



EY686-2



EY686-3



EY686-4

| Model | EY686-1 | | |
|---------------------------------------|-----------------|---------|--------|
| | 35W | 60W-MWD | 75W-WD |
| Power Consumption ±5% (W) | 35 | 60 | 75 |
| Luminaire Flux ±5% (lm) @ 3000K T2 | 4,202 | 7,549 | 8,637 |
| System Efficacy ±5% (lm/W) @ 3000K T2 | 116.6 | 122.9 | 111.4 |
| Power Factor (PF) | 0.98 | 0.98 | 0.98 |
| Efficiency % | 87% | 89% | 89% |
| LED Chips Qty LED (pcs) | 16 | 32 | 32 |
| Product Dimension L x W x H (mm) | 560 x 246 x 114 | | |
| Carton Dimension L x W x H (mm) | 625 x 310 x 205 | | |
| Net Weight (kg) | 4.10 | 4.45 | 4.50 |
| Gross Weight (kg) | 5.15 | 5.40 | 5.45 |
| CBM (m ³) | 0.040 | | |

| Model | EY686-2 | | | | | | | |
|---------------------------------------|-----------------|--------|--------|--------|--------|--------|--------|--------|
| | 80W | | 90W | | 100W | | 120W | |
| | WD | MD | WD | MD | WD | MD | WD | MD |
| Power Consumption ±5% (W) | 80 | | 90 | | 100 | | 120 | |
| Luminaire Flux ±5% (lm) @ 3000K T2 | 10,874 | 10,738 | 11,458 | 11,973 | 11,924 | 13,374 | 14,654 | 14,564 |
| System Efficacy ±5% (lm/W) @ 3000K T2 | 129.9 | 135.8 | 123.4 | 132.9 | 122.0 | 132.6 | 126.1 | 124.0 |
| Power Factor (PF) | 0.97 | 0.95 | 0.97 | 0.96 | 0.96 | 0.97 | 0.98 | 0.97 |
| Efficiency % | 92% | 91.5% | 91% | 91.5% | 93% | 91.5% | 93% | 91.5% |
| LED Chips Qty LED (pcs) | 40 | 48 | 48 | 48 | 48 | 48 | 48 | 48 |
| Product Dimension L x W x H (mm) | 653 x 288 x 127 | | | | | | | |
| Carton Dimension L x W x H (mm) | 700 x 340 x 200 | | | | | | | |
| Net Weight (kg) | 5.65 | 5.80 | 5.80 | 5.80 | 6.15 | 5.80 | 6.15 | 5.80 |
| Gross Weight (kg) | 6.85 | 6.30 | 7.00 | 6.30 | 7.35 | 6.30 | 7.35 | 6.30 |
| CBM (m ³) | 0.048 | | | | | | | |

| Model | EY686-3 | | | | | | | |
|---------------------------------------|-----------------|--------|--------|--------|--------|--------|--------|--------|
| | 120W | | 135W | | 150W | | 170W | |
| | WD | MD | WD | MD | WD | MD | MXD | MD |
| Power Consumption ±5% (W) | 120 | | 135 | | 150 | | 170 | |
| Luminaire Flux ±5% (lm) @ 3000K T2 | 15,540 | 16,599 | 17,393 | 18,228 | 18,094 | 19,968 | 20,776 | 23,037 |
| System Efficacy ±5% (lm/W) @ 3000K T2 | 124.1 | 138.3 | 125.0 | 136.0 | 118.3 | 132.5 | 137.2 | 133.2 |
| Power Factor (PF) | 0.98 | 0.98 | 0.98 | 0.98 | 0.98 | 0.98 | 0.98 | 0.98 |
| Efficiency % | 93% | 91.5% | 93% | 91.5% | 93% | 91.5% | 92% | 92% |
| LED Chips Qty LED (pcs) | 64 | 80 | 80 | 80 | 80 | 80 | 120 | 120 |
| Product Dimension L x W x H (mm) | 763 x 330 x 125 | | | | | | | |
| Carton Dimension L x W x H (mm) | 805 x 390 x 200 | | | | | | | |
| Net Weight (kg) | 7.52 | 7.95 | 7.83 | 7.95 | 7.83 | 7.95 | 8.10 | 8.10 |
| Gross Weight (kg) | 9.11 | 8.45 | 9.23 | 8.45 | 9.23 | 8.45 | 8.60 | 8.60 |
| CBM (m ³) | 0.063 | | | | | | | |

| Model | EY686-3 | | | EY686-4 | |
|---------------------------------------|-----------------|---------|---------|------------------|---------|
| | 180W-MD | 190W-MD | 200W-MD | 240W-WD | 280W-WD |
| Power Consumption ±5% (W) | 180 | 190 | 200 | 240 | 280 |
| Luminaire Flux ±5% (lm) @ 3000K T2 | 24,415 | 26,133 | 26,464 | 32,496 | 38,347 |
| System Efficacy ±5% (lm/W) @ 3000K T2 | 135.5 | 135.3 | 131.3 | 132.2 | 137.4 |
| Power Factor (PF) | 0.98 | 0.98 | 0.99 | 0.99 | 0.98 |
| Efficiency % | 92% | 92% | 92% | 92% | 95% |
| LED Chips Qty LED (pcs) | 120 | | | 120 | 144 |
| Product Dimension L x W x H (mm) | 763 x 330 x 125 | | | 935 x 450 x 155 | |
| Carton Dimension L x W x H (mm) | 805 x 390 x 200 | | | 1020 x 540 x 225 | |
| Net Weight (kg) | 8.10 | | | 13.54 | 14.40 |
| Gross Weight (kg) | 8.60 | | | 16.40 | 17.20 |
| CBM (m ³) | 0.063 | | | 0.124 | |

PRODUCT DIMENSION

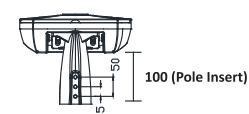
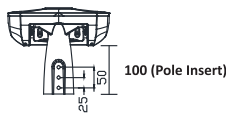
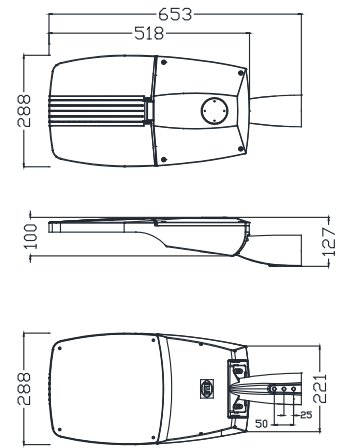
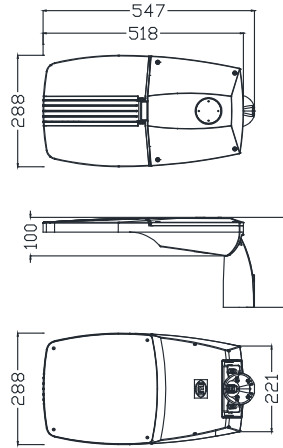
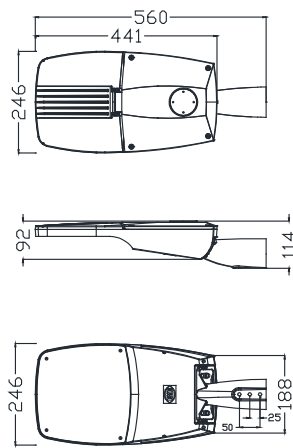
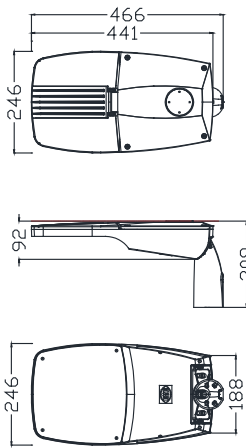
ALL DIMENSION IN MM

Post Top

Side Entry

Post Top

Side Entry



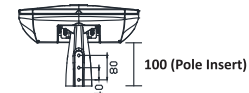
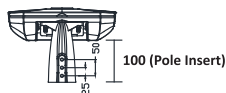
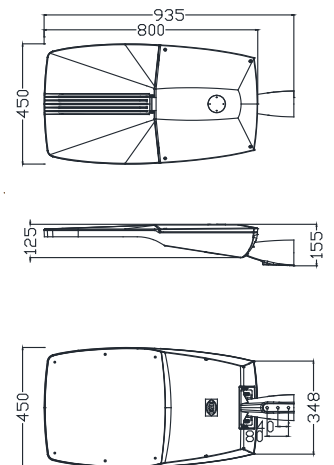
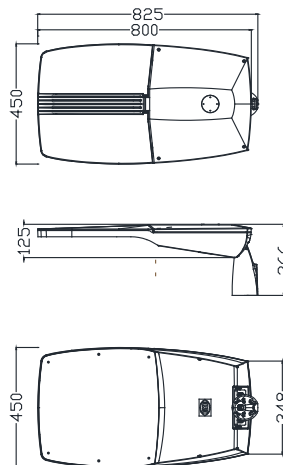
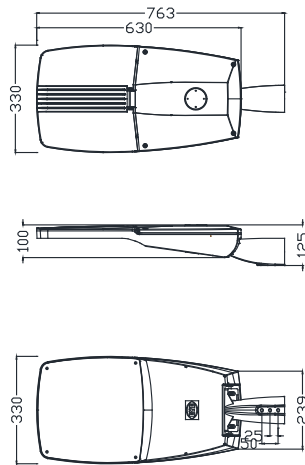
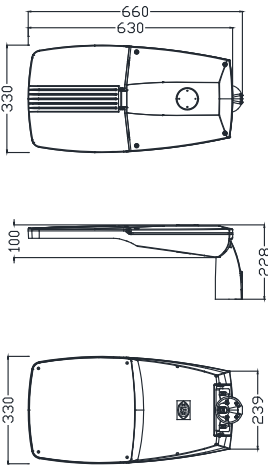
| | |
|---------|---------|
| EY686-1 | EY686-2 |
| EY686-3 | EY686-4 |

Post Top

Side Entry

Post Top

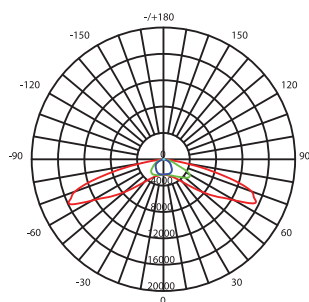
Side Entry



PHOTOMETRY DATA

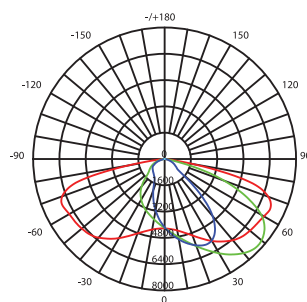
OTHER LENS TYPE AVAILABLE UPON REQUEST

TYPE I :



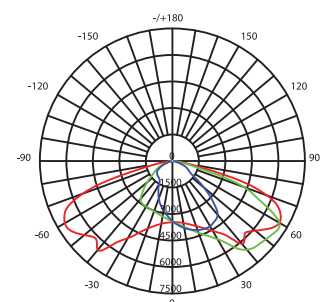
• PEDESTRIAN ROAD

TYPE II :



• URBAN ROAD/MOTORWAY

TYPE III :



• EXPRESSWAY

PRODUCT FEATURES



Shorting Cap / Photocell / Smart IoT Lamp controller provision for all model*
c/w internal **pre-wired for Dimming & Smart ready**

High efficiency LED:
Superior Lumen Output**
Special developed lens offering high flexibility and performance to suit different lighting application



Reliable & Anti-Auto-Open Gear Cover Screw Secure Type:
Unlike "Clip Type" Lantern opens after certain period of operation/vibration



Self-Clean Clear Tempered glass



Thermal Control:
External heat sink designed at the top centre of LED light source for better heat dissipation

ADC-12 High Pressure die-cast aluminum :

- IP66 water proof
- IK08 impact resistant
- AkzoNobel salt fog grade anti-corrosive powder coating

Safety cut-off switch:
Power supply automatically cut-off when opening up gear cover

Double Surge Protection:
Internal surge protective device up to 25kA



Equipped with pure silicon gasket for weather proof reliability



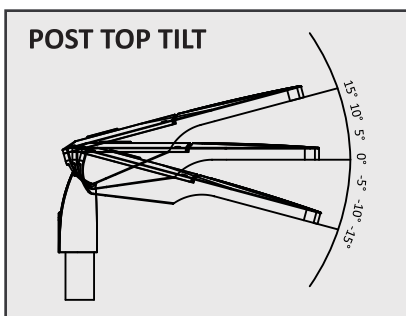
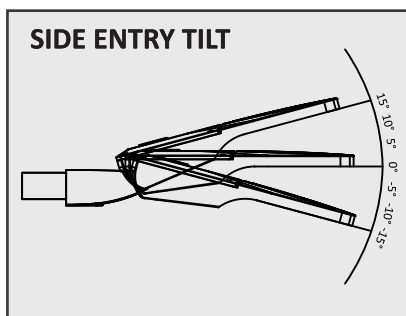
Vibration & Shockproof Tested Lantern & Spigot

3-Hole Cable Gland:
Ensure better waterproofing for cable inlet from pole & prevent cable theft*



High reliability LED Driver:
Comes with 6kV line-line and 10kV line-earth surge protection.***
Protection against output over voltage, short circuit and over temperature
Total harmonic distortion, 4~12% at full load
Standard across model 3in1 Dimmable driver for smart IoT lighting ready.

2 x M10 bolts & washers tooth secure mechanism



Side entry or post-top mounting
Allowable tilt -15° to +15°
5° Incremental/decremental tilt

Note: *Optional features; **Efficacy performance varies with lens type, LED CRI & Colour Temperature; ***Except 280W Model.



IWASAKI ELECTRIC CO., LTD. (HEADQUARTER)

Address: Nomurafudosan-higashinohonbashi-Bldg.
1-1-7 Higashinohonbashi, Chuo – Ku, Tokyo 103-0002 Japan.
Telephone: +81-3-5846 9015
Fax: +81-3-5846 9033
Email: sales@eye.co.jp

EYE LIGHTING ASIA PACIFIC PTE LTD (SINGAPORE)

Address: 21 Kaki Bukit Place Eunos Techpark, Singapore 416 199
Telephone: +65-6742 3611
Fax: +65-6743 5202
Email: sales@eyelighting.com

ELM LIGHTING SDN BHD (MALAYSIA)

Address: NO.14A, Jalan Meteor U16/153,
Elmina Seksyen U16,
40160 Shah Alam, Selangor, Malaysia.
Telephone: +6011-1875 9366
Email: support@elmlighting.com.my

EYE LIGHTING AUSTRALIA PTY LTD.
Queensland, Australia

EYE LIGHTING(HONG KONG)LTD.
Hong Kong

EYE LIGHTING NEW ZEALAND LTD.
New Zealand

**EYE LIGHTING INTERNATIONAL
OF NORTH AMERICA, INC.**
Ohio, USA

Official Website: : www.eyelightingasia.com
www.eye.co.jp (Japan)

