

# OUTDOOR LED LIGHTING



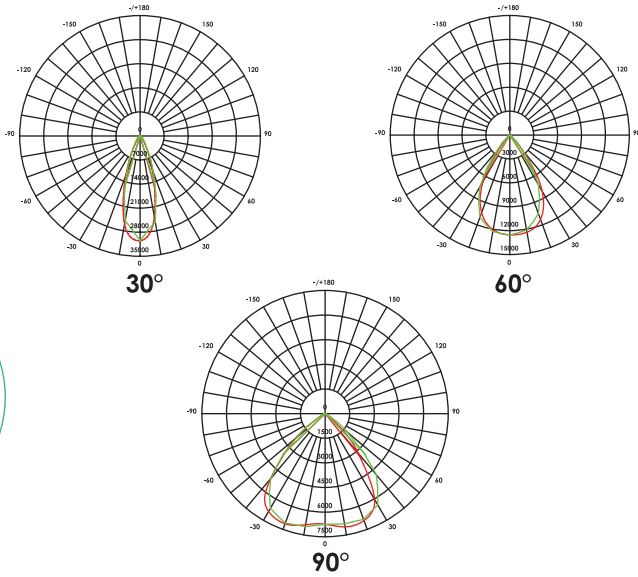
SHOSHA/SL

## EY368

### LED FLOODLIGHT

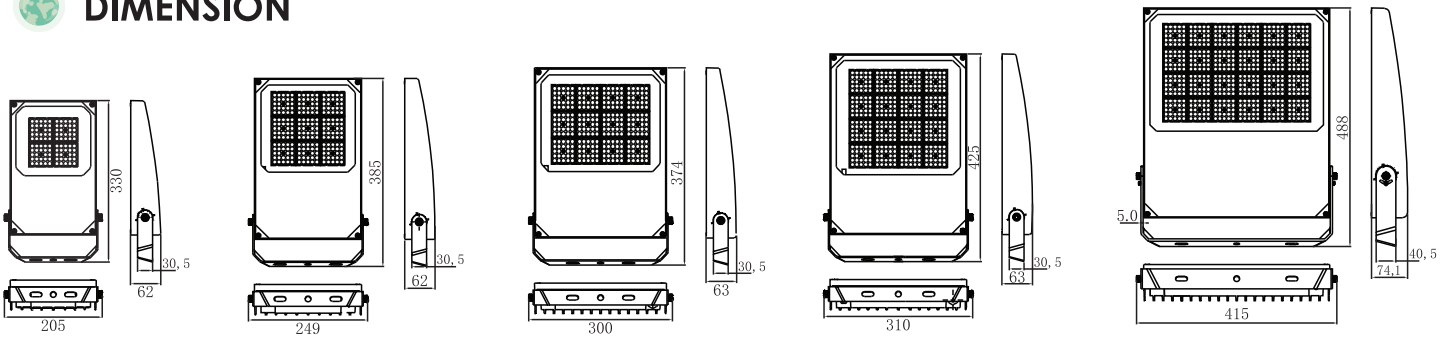
### CBCE

#### PHOTOMETRIC/BEAM ANGLE

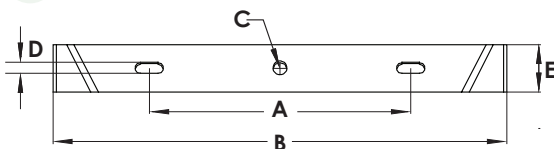


EY368:50W - 300W

#### DIMENSION

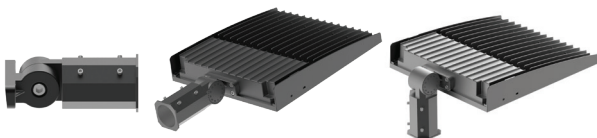


#### BRACKET MOUNTING INFO



Model	Bracket Mounting Dimension (mm)				
	A	B	C	D	E
50W	90	196.5	∅ 12.5	10.5	30
100W	130	256.6	∅ 12.5	10.5	30
150W	170	281.8	∅ 12.5	10.5	30
200W	170	298.8	∅ 12.5	10.5	30
240W	250	395.2	∅ 12.5	10.5	40
300W	250	395.2	∅ 12.5	10.5	40

Customized Spigot Mount Adapter



Optional Mounting Accessory

MODEL NO.	EY368-50W	EY368-100W	EY368-150W	EY368-200W	EY368-240W	EY368-300W
Power Consumption ±5% (W)	50W	100W	150W	200W	240W	300W
Luminaire Flux ±5% (lm)	7,750 lm	15,500 lm	23,250 lm	31,000 lm	38,400 lm	46,500 lm
System Efficacy ±5% (lm/W)	155 lm/W	155 lm/W	155 lm/W	155 lm/W	160lm/W	155 lm/W
Power Factor (PF)	>0.95	>0.95	>0.95	>0.95	>0.95	>0.95
HID Equivalent	100W	150W	250W	400W	400W	400W
Internal Built-in Surge Protection Devices (kV)	6kV	6kV	6kV	6kV	6kV	6kV
Net Weight (kg)	2.26	3.15	3.65	4.35	7.05	7.50
Gross Weight (kg)	2.81	3.80	4.45	5.30	8.10	8.70
Product Dimension, L x W x H (mm)	323 x 210 x 61	355 x 270 x 62	375 x 294 x 62	430 x 310 x 62	490 x 411 x 70	490 x 411 x 70
Carton Dimension, L x W x H (mm)	380 x 250 x 90	410 x 310 x 100	450 x 335 x 100	485 x 355 x 100	565 x 455 x 115	565 x 455 x 115
CBM (m <sup>3</sup> )	0.009	0.013	0.015	0.017	0.029	0.029

Note: The above specified lumen and system efficiency based on standard CCT: 6000K, Ra 70

## TECHNICAL SPECIFICATION

### ELECTRICAL SYSTEM

- **Input Voltage** : 100 - 240Vac, 50/60Hz
- **Insulation Class** : Class I
- **LED Driver** : BQ Series

### LIGHT SOURCE / OPTIC

- **LED Type** : SMD 2835 with TM21 and LM80
- **Color Temperature (CCT)** : Standard 6000K (3000K and others upon request)
- **Color Rendering Index (CRI)** : Ra > 70 (Ra > 80, 90 upon request)
- **Life Time Residual Flux** : (L70), >50,000 hours @ Ta : 50°C
- **Optical System** : 30°, 60° & 90° (modular lens) (Other professional lens available upon request)
- **Protective Cover** : Easy Wash Clear Tempered Glass
- **Working Temperature** : Ta : -30°C to +50°C

### APPLICATION

- Facade • Security • Signboard Lighting • Soffit
- Sport Lighting • Perimeter Lighting • Landscape

### CERTIFICATION AND COMPLIANCE TEST

- **Type Test Certified (Luminaire)** : IEC 60598-1 : IEC 60598-2-5, IEC 62471 : EN 62493
- **EMC Certified** : EN 61000-3-2, EN 61000-3-3 : EN 55015, EN 61547
- **LED Compliance Test** : IESNA LM-80 : TM-21
- **Ingress Protection Test** : IEC 60529 (IP66)
- **Impact Resistance Test** : IEC 62262 (IK09)
- **RoHS** : IEC 62321

### FIXTURE/HOUSING

- **Ingress Protection (IP)** : IP66
- **Impact Resistance (IK)** : IK09
- **Housing Material** : ADC 12 Die Cast Aluminium
- **Housing Finish** : Akzo Nobel Epoxy Powder Coating - Grey

### OPTIONAL FEATURES/ACCESSORIES

- Microwave Motion Sensor
- DALI / 1-10V Dimming Control
- IoT Smart Lighting Control (ZHAGA)
- ZHAGA ready